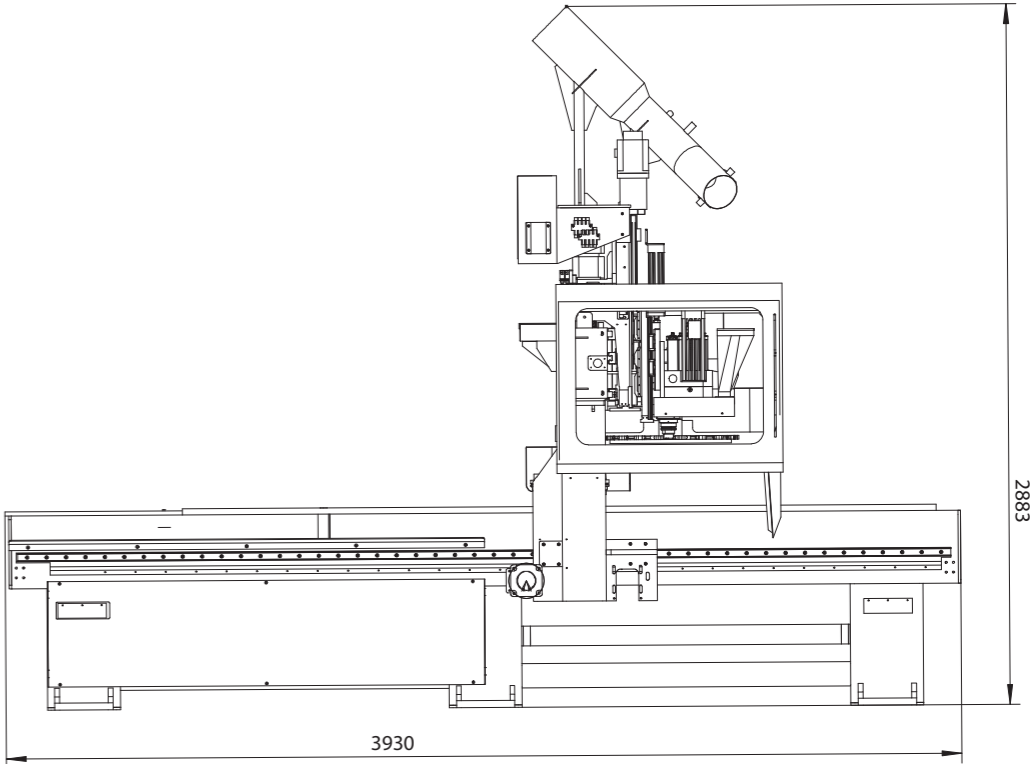
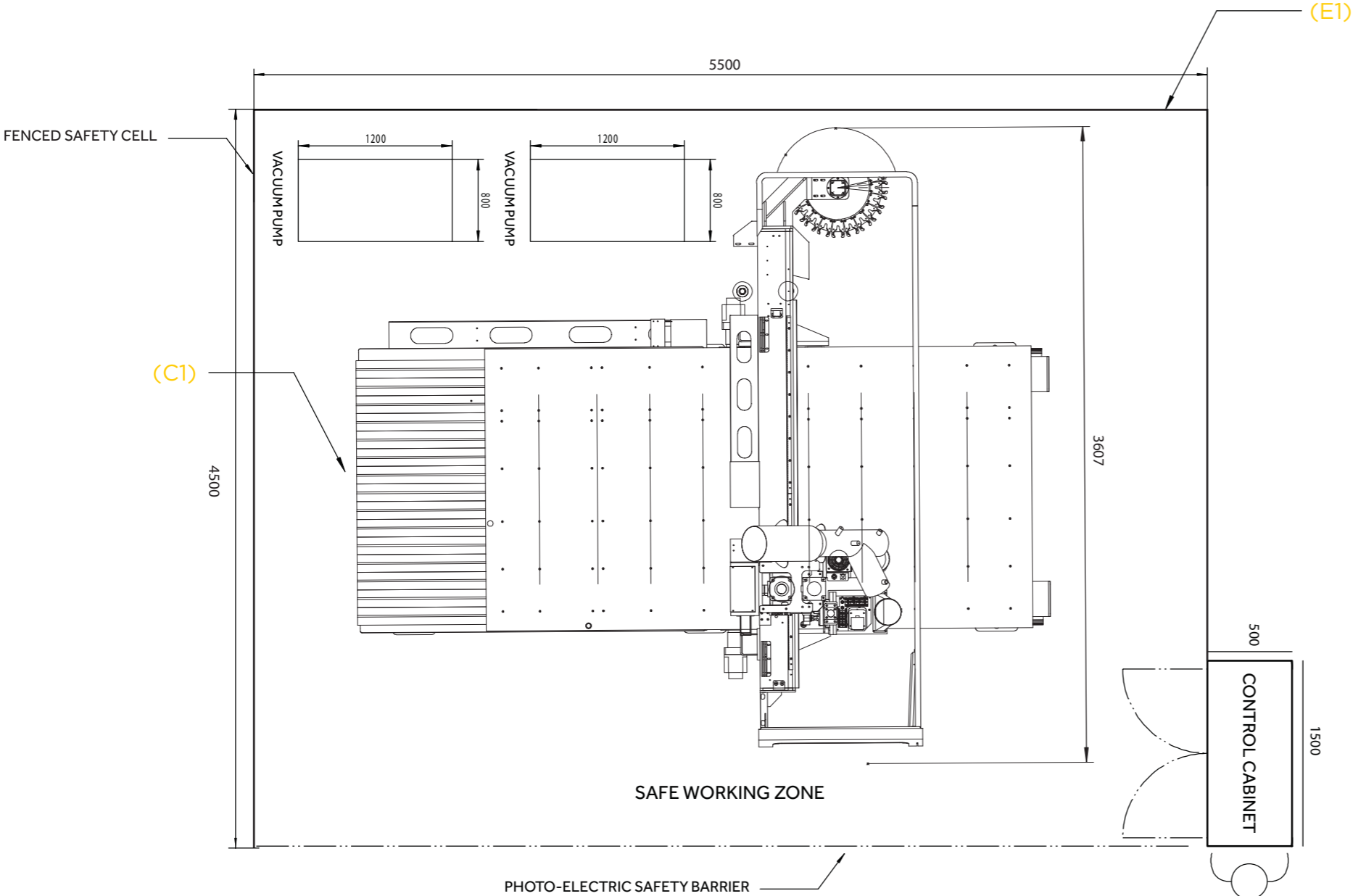


MAXICAM M4 FLOOR PLAN

INNOVATION IN WOODWORKING



- ELECTRICAL (E1)**
1 X 5PIN C-FORM SOCKET 3-PHASE 32A MACHINE MAIN
- COMPRESSED AIR (C1)**
1 X LEVER BALL VALVE WITH 12MM PUSH FIT CONNECTION
CLEAN DRY AIR @ 8CFM 8BAR (CONSTANT)